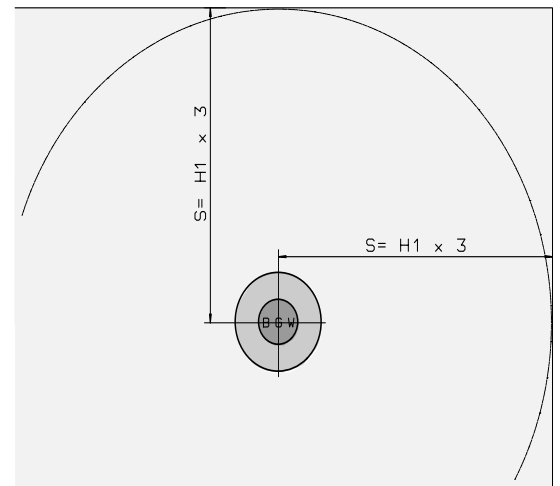
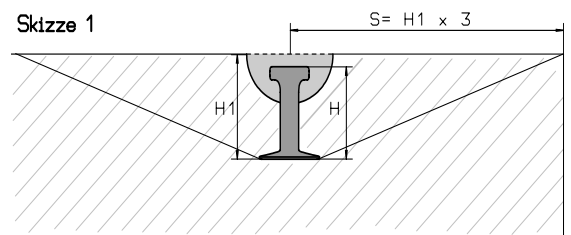


BGW-installation instruction for capstan lifter

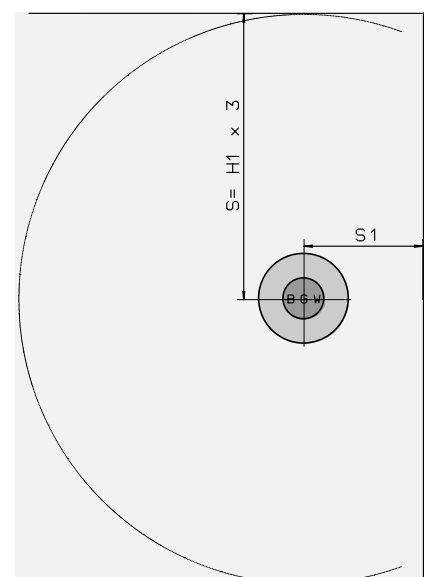
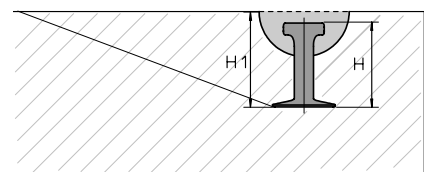
Maximum anchor loads for the BGW-capstan lifters at an installation according to sketch 1.

load t	length mm	maximum anchor load at a concrete strength KN			
		15 N/mm ²	20 N/mm ²	35 N/mm ²	45 N/mm ²
1,3	65	12,0	13,0	13,0	13,0
1,3	85	12,5	13,0	13,0	13,0
1,3	120	13,0	13,0	13,0	13,0
1,3	240	13,0	13,0	13,0	13,0
2,5	75	17,0	23,0	25,0	25,0
2,5	85	18,0	23,5	25,0	25,0
2,5	120	25,0	25,0	25,0	25,0
2,5	140	25,0	25,0	25,0	25,0
2,5	170	25,0	25,0	25,0	25,0
2,5	280	25,0	25,0	25,0	25,0
4,0	75	18,0	23,9	27,0	31,0
4,0	100	30,0	38,0	40,0	40,0
4,0	120	40,0	40,0	40,0	40,0
4,0	170	40,0	40,0	40,0	40,0
4,0	240	40,0	40,0	40,0	40,0
4,0	340	40,0	40,0	40,0	40,0
5,0	75	18,0	23,9	27,0	31,0
5,0	100	30,0	38,0	40,0	45,0
5,0	120	42,0	50,0	50,0	50,0
5,0	180	50,0	50,0	50,0	50,0
5,0	240	50,0	50,0	50,0	50,0
5,0	340	50,0	50,0	50,0	50,0
5,0	480	50,0	50,0	50,0	50,0
7,5	120	42,0	53,0	58,0	65,0
7,5	165	75,0	75,0	75,0	75,0
7,5	200	75,0	75,0	75,0	75,0
7,5	300	75,0	75,0	75,0	75,0
10	115	35,0	45,0	58,0	65,0
10	150	59,0	79,0	82,0	90,0
10	170	78,0	80,0	90,0	95,0
10	200	100,0	100,0	100,0	100,0
10	340	100,0	100,0	100,0	100,0
15	165	72,0	94,0	150,0	150,0
15	300	150,0	150,0	150,0	150,0
15	400	150,0	150,0	150,0	150,0
20	340	200,0	200,0	200,0	200,0
20	500	200,0	200,0	200,0	200,0

sketch 1



Skizze 2



The in table 3 named anchor loads, are valid for capstan anchors in a low distance to an edge of the pre cast concrete unit (see sketch 2).

The named minimum distance "s" should not fall below.

load t	length mm	maximal anchor load at a concrete strength KN		minimum distance s mm
		15 N/mm ²	20 N/mm ²	
1,3	120	12,4	13,0	45
1,3	240	13,0	13,0	45
2,5	170	25,0	25,0	55
2,5	280	25,0	25,0	55
4,0	210	37,4	40,0	70
4,0	340	39,5	40,0	70
5,0	240	49,5	50,0	80
5,0	280	50,0	50,0	80
7,5	300	67,0	75,0	90
7,5	540	72,0	75,0	90
10,0	340	100,0	100,0	110
10,0	680	100,0	100,0	110
15,0	300	112,3	150,0	130
15,0	400	145,3	150,0	150
20,0	500	197,9	200,0	150
20,0	1000	200,0	200,0	150